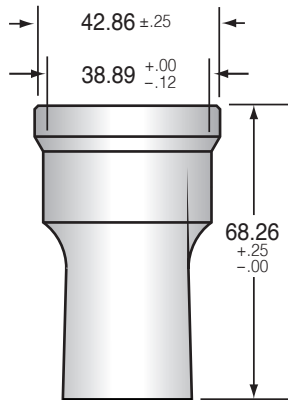
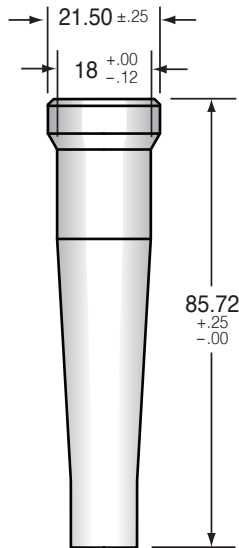


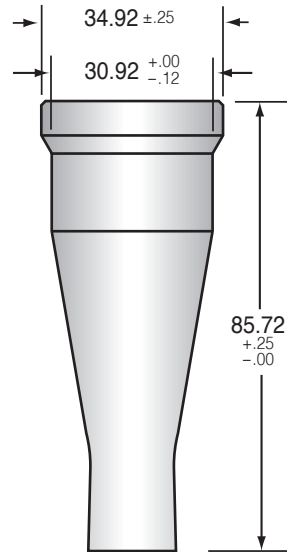
**STOCK ITEMS:** Shipped Same Day • **EXPRESS ITEMS:** Shipped Within 48 Hours



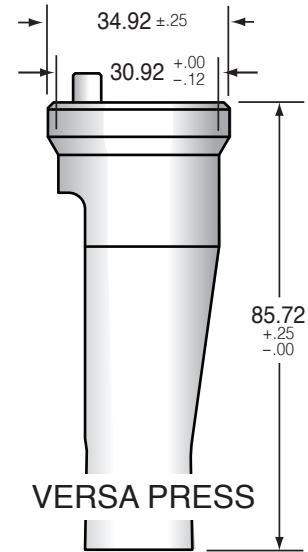
**F128**  
Ficep A08224-RD



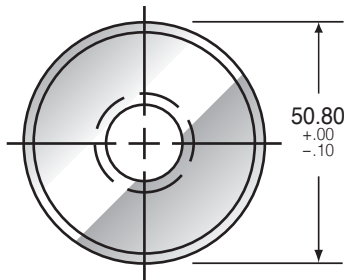
**7564**  
Ficep A21922-RD



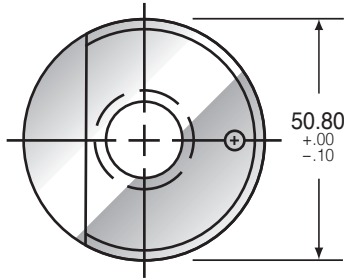
**F121**



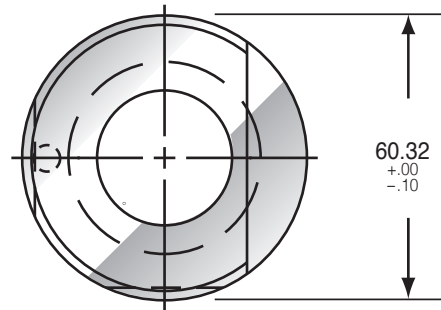
**F121F**  
Ficep A23912-RD  
TYPO-D-F1218489



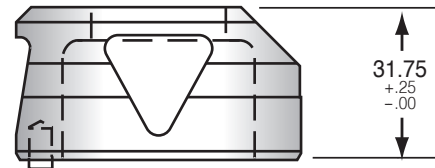
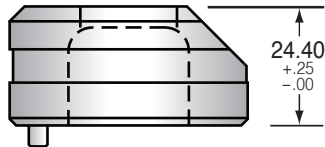
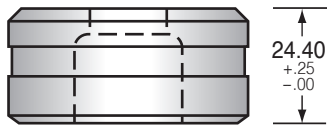
**F317**  
Ficep A12688-RD



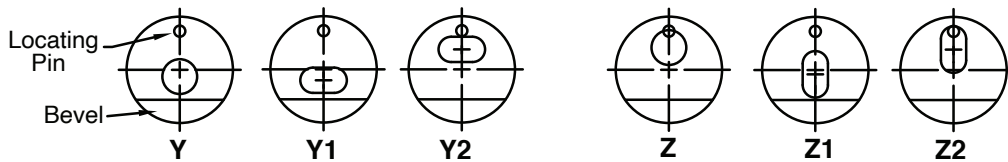
**F317/45**  
Ficep A17968-RD



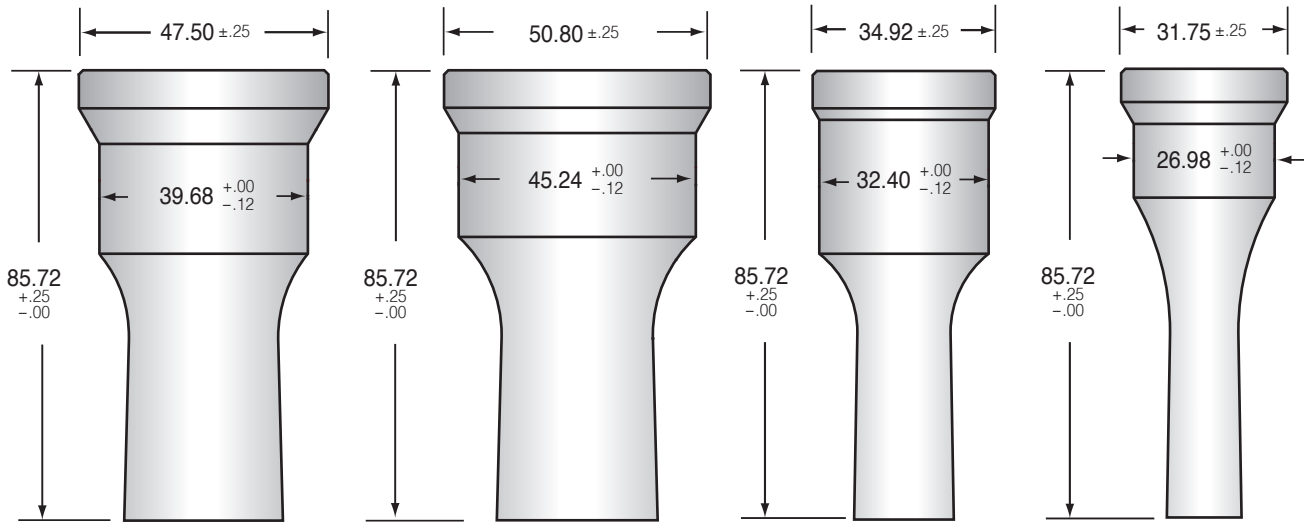
**F319/45**  
Ficep A21578-RD



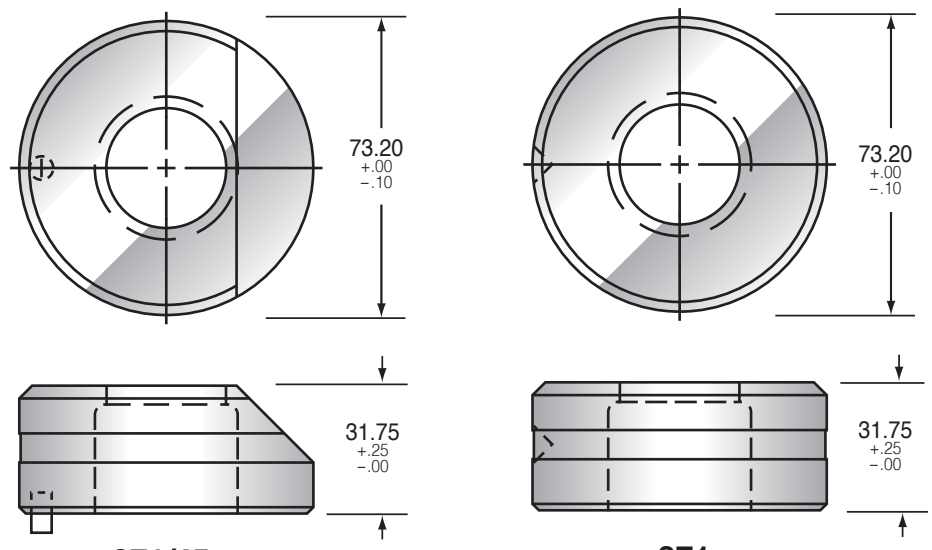
**Offset Position**



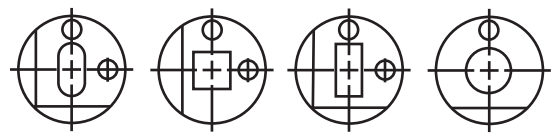
**Standard**



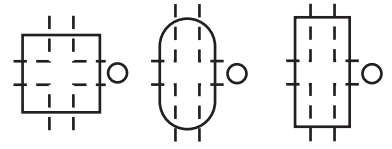
**147** Ficep A22084-RD      **159** Ficep A26359-RD      **186** Ficep A26129-RD      **188** Ficep A18788-RD



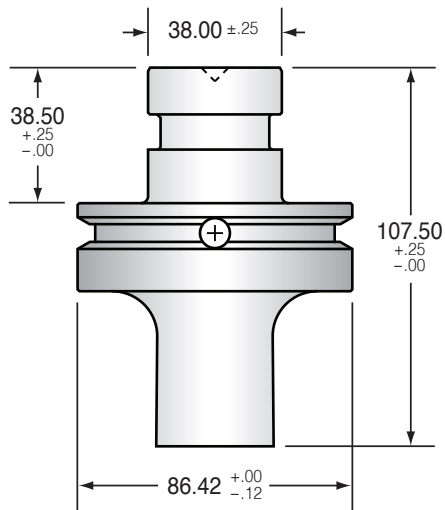
**371/45** Ficep A26371-RD      **371** Ficep A12957-RD



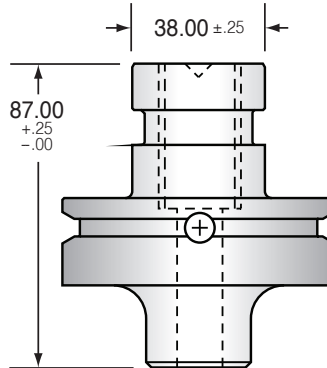
*All shaped dies are supplied with 2 pin holes. Round and square shapes are supplied with one bevel. Oblong and rectangular shapes are supplied with two bevels.*



*All shaped punches are supplied with 2 keyways or 1 pin.*

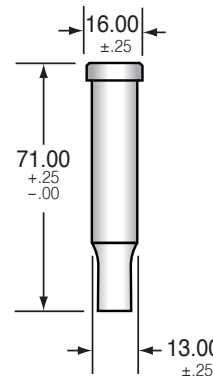


**8294**  
Ficep A30604-RD



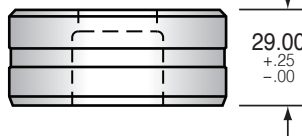
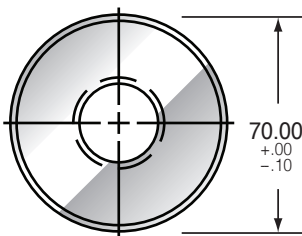
**8300**  
Ficep 726471-RD

For hole sizes to 13



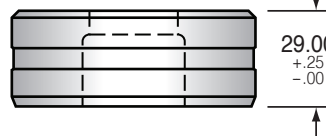
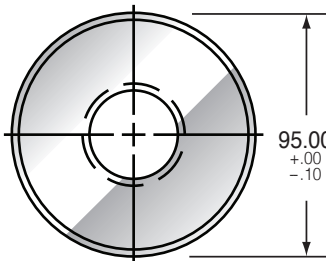
**7745**  
Ficep A30493-RD

For hole size  
.191 to 1.180



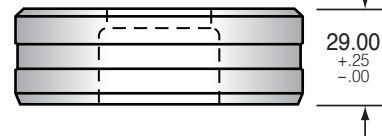
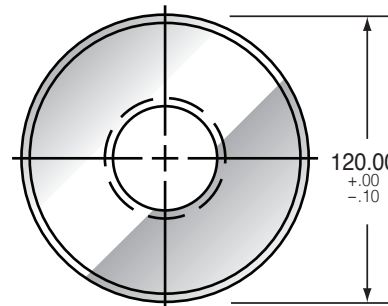
**7610**  
Ficep A30491-RD

For hole size  
1.181 to 2.362



**7611**  
Ficep A30537-RD

For hole size  
2.363 to 2.952



**7612**  
Ficep A30538-RD